

LHB2 SERIES INDUSTRIAL LIGHTING

LHB2-50W-30K
LHB2-50W-40K
LHB2-50W-50K



Selection:

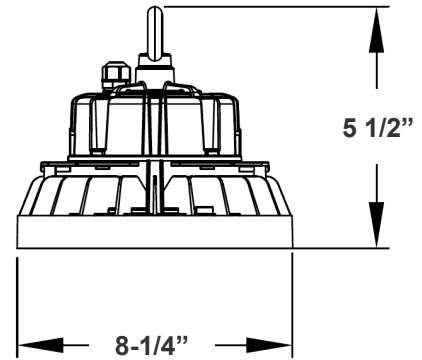


Customer Name: _____

Project Name: _____

Note:

Type:



8 1/4"(Diameter) x 5 1/2" (H)

In an aluminum shell designed for heat dissipation, LHB2 is IP66 water-resistant rated and ideal for general site lighting, alleys, loading docks, doorways, pathways, parking areas, warehouses, and storage buildings.

Features

- Housing: Aluminum heat sink, Black Finish
- PC Reflector Included
- 5-Year Warranty
- Aluminum LED Board: High conductive, waterproof, aging resistant, salt mist resistance, long-life

Technical Specifications

Electrical:

- Voltage: 120-277V AC; 60Hz AC
- Power Factor: >0.90
- THD: <20%
- Wattage: 50W
- Efficacy: 130 LPW

Mechanical:

- Housing: Aluminum Heat Sink, White Finish
- Cord type: 6' SJTW 18/3 AWG Cable
- Operating Temp.: -4°F to 122°F
- Use of Reflector is Optional, Can Be Easily Removed
- Cord Type: 6' SJTW 18, 3 AWG Cable
- Suitable for Wet Locations
- IP66

Lighting:

- Dimming: 0~10V Dimming
- Aluminum LED Board: High Conductive, Waterproof, Aging Resistant, Salt Mist Resistance, Long-life
- Total Lumen: 6500LM
- Color Rendering Index: CRI ≥ 80
- Beam Angle: 110°
- Rated Life: 50,000 hrs

Applications:

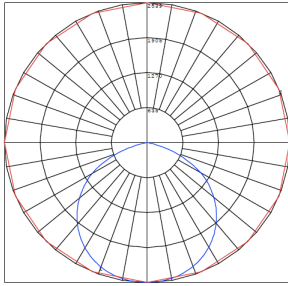
- Ideal for general site lighting, alleys, loading docks, doorways, pathways, parking areas, warehouses, and storage buildings.

Other Models:

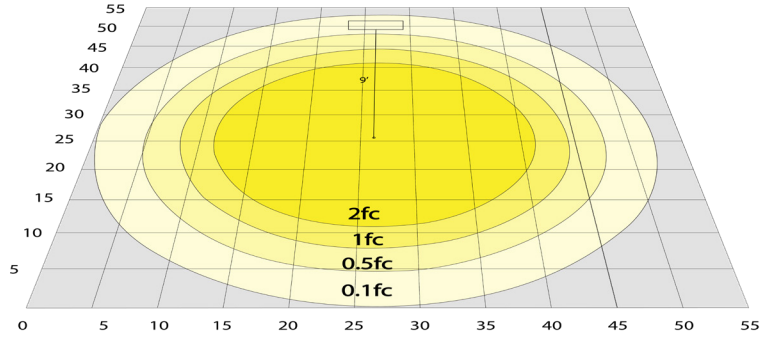
• 50W | 6500LM | LHB2-50W-30K-WH • 50W | 6500LM | LHB2-50W-40K-WH • 50W | 6500LM | LHB2-50W-50K-WH



Photometrics: LHB2-50W



BUG Rating: B2-U4-G2



Simulation based on 4000K Area 55'x 55' Mounting Height: 9'

Other Views:



Top View



Front View



Lens View



Shown Without Reflector

Performance Table: LHB2-50W

MODEL NO.	Wattage	Voltage	Lumens	Color Temp.	BUG Rating	LPW
LHB2-50W-30K	50W	120-277V AC	6500LM	3000K	B2-U4-G2	130
LHB2-50W-40K	50W	120-277V AC	6500LM	4000K	B2-U4-G2	130
LHB2-50W-50K	50W	120-277V AC	6500LM	5000K	B2-U4-G2	130

Sample Ordering

Model	Watt	Color Temp.
LHB2	50W	<input type="text"/>
		30K = 3000K 40K = 4000K 50K = 5000K

Factory-Installed Option:

Blank = No Option For Accessories

OPT-EM-ULHB = EMERGENCY BACK UP BATTERY FOR LHB2

OPT-HBC-125TL-BK = TWIST LOCK CORD 8FT, 15A, 125V,16/3TL,BLK

OPT-HBC-277TL-BK = TWIST LOCK CORD 8FT, 15A, 277V,16/3TL,BLK

OPT-HBC-125SB-BK = TWIST LOCK CORD 10FT, 15A, 125V,18/3STR,BLK

OPT-SEN-ULHB= ULHB-SK

Example:

- LHB2-50W-4000K (FOR LHB2 50W FIXTURE 120-277V)
- LHB2-50W-4000K OPT-EM-ULHB (FOR LHB2 50W FIXTURE 120-277V) (EMERGENCY BACK UP BATTERY FOR LHB2)

FACTORY-INSTALLED OPTION:



OPT-EM-ULHB
EMERGENCY BACK UP
BATTERY FOR LHB2



OPT-SEN-ULHB
ULHB-SK



OPT-HBC-125TL-BK
TWIST LOCK CORD 8FT, 15A,
125V,16/3TL,BLK



OPT-HBC-125SB-BK
TWIST LOCK CORD 10FT, 15A,
125V,18/3STR,BLK



OPT-HBC-277TL-BK
TWIST LOCK CORD 8FT, 15A,
277V,16/3TL,BLK